

Richelieu



ECLECTIC



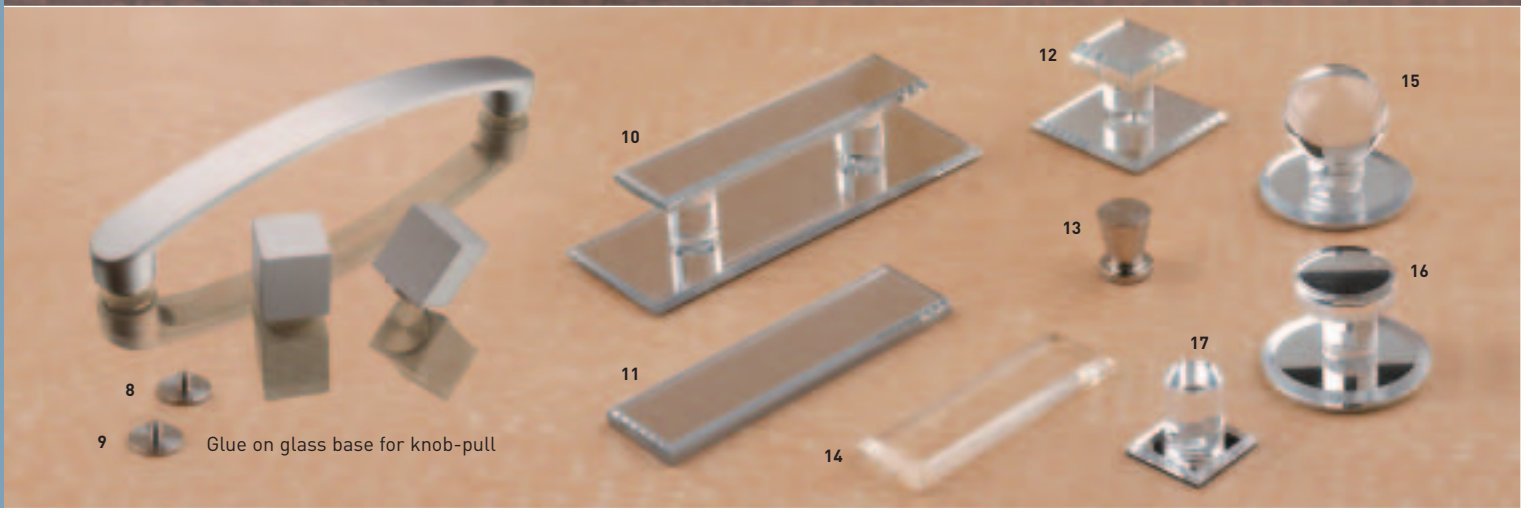
Ref. No	Colour Finish	Material Description	Dimension c.c./ Ø	Overall Dimension (W x H) Metric	Overall Dimension (W x H) Imperial	Screw Nail
1	565753 BB, 908	Metal	3" c.c.	111 x 23mm	4 3/8" x 29/32"	8/32
2	56576 BB, 908	Metal	Ø 31mm	31 x 35mm	1 7/32" x 1 3/8"	8/32
3	667 BB, 908, 909	Metal	96mm c.c.	142 x 30mm	5 19/32" x 1 3/16"	8/32
4	665 BB, 908, 909	Metal		74 x 27mm	2 29/32" x 1 1/16"	8/32
5	565813 BB, 908	Metal	3" c.c.	109 x 25mm	4 9/32" x 1"	8/32
6	56582 BB, 908	Metal		42 x 26mm	1 21/32" x 1 1/32"	8/32
7	391570 BB, 904	Metal	96mm c.c.	109 x 31mm	4 9/32" x 1 7/32"	8/32
8	391464 BB, 904	Metal		26 x 24mm	1 1/32" x 15/16"	8/32
9	391308 BB, 128, 904	Metal		30 x 21mm	1 3/16" x 13/16"	8/32
10	391568 BB, 904	Metal	3" c.c.	60 x 20mm	2 3/8" x 25/32"	8/32
11	391297 BB, 904	Metal		32 x 22mm	1 1/4" x 7/8"	8/32
12	391571 BB, 904	Metal	3" c.c.	98 x 27mm	3 27/32" x 1 1/16"	8/32

Ref. No	Colour Finish	Material Description	Dimension c.c./ Ø	Overall Dimension (W x H) Metric	Overall Dimension (W x H) Imperial	Screw Nail
13	565793 BB, 908	Metal	3" c.c.	100 x 24mm	3 15/16" x 15/16"	8/32
14	56580 BB, 908	Metal		41 x 26mm	1 5/8" x 1 1/32"	8/32
15	391301 BB, 904	Metal		30 x 22mm	1 3/16" x 7/8"	8/32
16	391298 BB, 904	Metal		30 x 24mm	1 3/16" x 15/16"	8/32
17	391302 BB, 128, 904	Metal	3" c.c.	96 x 27mm	3 25/32" x 1 1/16"	8/32
18	391569 BB, 128, 904	Metal	3" c.c.	54 x 20mm	2 1/8" x 25/32"	8/32
19	391300 BB, 128, 904	Metal		31 x 22mm	1 7/32" x 7/8"	8/32
20	0852 BB, 130, 195	Metal	96mm c.c.	128 x 27mm	5 1/32" x 1 1/16"	8/32
21	0851 BB, 130, 195	Metal	96mm c.c.	128 x 25mm	5 1/32" x 1"	8/32
22	0853 BB, 130, 195	Metal	96mm c.c.	134 x 28mm	5 9/32" x 1 3/32"	8/32
23	30529 166, 184	Metal		28 x 25mm	1 3/32" x 1"	8/32
24	30148 166, 184	Metal		47 x 22mm	1 27/32" x 7/8"	8/32



Ref. No	Colour Finish	Material Description	Dimension c.c. / Ø	Overall Dimension (W x H) Metric	Imperial	Screw Nail	
1	2373796	BB, 195, 801, 906, 907	Metal	96mm c.c.	109 x 29mm	4 9/32" x 1 5/32"	8/32
2	2391533	BB, 195, 801, 906, 907	Metal	Ø 33mm	33 x 26mm	1 5/16" x 1 1/32"	8/32
3	2391528	BB, 195, 801, 906, 907	Metal	Ø 28mm	28 x 24mm	1 3/32" x 15/16"	8/32
4	2390332	BB, 195, 801, 906, 907	Metal	Ø 32mm	32 x 21mm	1 1/4" x 13/16"	8/32
5	236796	BB, 195, 801, 906, 907	Metal	96mm c.c.	117 x 30mm	4 19/32" x 1 3/16"	8/32
6	23613	BB, 801, 907	Plate & knob	Ø 25mm	85 x 22mm	3 11/32" x 7/8"	8/32
7	2391632	BB, 195, 801, 906, 907	Metal	Ø 32mm	32 x 27mm	1 1/4" x 1 1/16"	8/32

Ref. No	Colour Finish	Material Description	Dimension c.c. / Ø	Overall Dimension (W x H) Metric	Imperial	Screw Nail	
8	2381964	BB, 195, 801, 906, 907	Metal	64mm c.c.	77 x 16mm	3 1/32" x 5/8"	8/32
9	2373896	BB, 195, 801, 906, 907	Metal	96mm c.c.	109 x 27mm	4 9/32" x 1 1/16"	8/32
10	2391132	BB, 195, 801, 906, 907	Metal	Ø 32mm	32 x 24mm	1 1/4" x 15/16"	8/32
11	23601	BB, 195, 801, 906, 907	Plate & knob	Ø 25mm	99 x 25mm	3 29/32" x 1"	8/32
12	2392010	BB, 195, 801, 906, 907	Metal	Ø 10mm	10 x 21mm	13/32" x 13/16"	8/32
13	2374196	BB, 195, 801, 906, 907	Metal	96mm c.c.	105 x 17mm	4 1/8" x 21/32"	8/32



Ref. No	Colour Finish	Material Description	Dimension c.c. / Ø	Overall Dimension (W x H)		Srew Nail
				Meric	Imperial	
1	3922 AE, 130, 140, 175, 195, 130/30	Metal and porcelain	Ø 1 1/4"	32 x 41mm	1 1/4" x 1 5/8"	8/32
2	T9148 AE/30, 130/30, 140/30, 142/30, 185/30	Porcelain	Ø 36mm	36 x 39mm	1 13/32" x 1 17/32"	8/32
3	T9148 130/ 303, 308, 309, 403	Porcelain	Ø 36mm	36 x 39mm	1 13/32" x 1 17/32"	8/32
4	T9148 130/11	Crystal	Ø 36mm	36 x 39mm	1 13/32" x 1 17/32"	8/32
5	1038 BB, 130, 140	Metal	145 x 24mm	5 23/32" x 15/16"		
6	460 130, 195	Metal plate	Ø 33mm	33 x 35mm	1 5/16" x 1 3/8"	8/32
7	464 AE, A91, 130, 140, 142, 195	Metal plate	Ø 52mm	52 x 9mm	2 1/16" x 11/32"	

Ref. No	Colour Finish	Material Description	Dimension c.c. / Ø	Overall Dimension (W x H)		Srew Nail	
				Meric	Imperial		
8	83212 170	Stainless steel	Ø 16mm	16 x 6mm	5/8" x 1/4"	8/32	
9	M412 170	Stainless steel	Ø 16mm	16 x 6mm	5/8" x 1/4"	M4	
10	D010201	Acrylic	127 x 45mm	5" x 1 3/4"		Self adhesive	
11	807 11	Acrylic	102 x 29mm	4" x 1 1/8"		Self adhesive	
12	500 11	Acrylic	45 x 45mm	1 3/4" x 1 3/4"		Self adhesive	
13	D032015	sold as a pair	Stainless steel	Ø 16mm	16 x 20mm	5/8" x 25/32"	Glue on glass
14	808 11	Acrylic	76 x 25mm	3" x 1"		Self adhesive	
15	503 11	Acrylic	Ø 1 7/8"	48 x 30mm	1 7/8" x 1 3/16"	Self adhesive	
16	507 11	Acrylic	Ø 1 7/8"	48 x 30mm	1 7/8" x 1 3/16"	Self adhesive	
17	D010382	Acrylic	25 x 25mm	1" x 1"		Self adhesive	



Ref. No	Couleur Finish	Material Description	Dimension c.c. / Ø	Overall Dimension (W x H) Metric	Imperial	Srew Nail
1	5420 140/ 12, 19	Murano glass	Ø 20mm	20 x 42mm	25/32" x 1 21/32"	
2	9030 130/11, 140/11, 140/95	Murano glass	Ø 30mm	30 x 35mm	1 3/16" x 1 3/8"	M4
3	1530 130/12, 140/12	Murano glass	Ø 30mm	30 x 34mm	1 3/16" x 1 11/32"	M4
4	712320528 130	Metal & glass	Ø 28mm	28 x 26mm	1 3/32" x 1 1/32"	Ø/32
5	712111996 130	Metal & glass	96mm c.c.	112 x 24mm	4 13/32" x 15/16"	Ø/32
6	1830 130/21, 140/22	Murano glass	Ø 30mm	30 x 26mm	1 3/16" x 1 1/32"	M4
7	9923 130/18, 140/18	Brass & glass	Ø 25mm	25 x 34mm	1" x 1 11/32"	M4
8	9912 130/11	Brass & glass	Ø 30mm	30 x 37mm	1 3/16" x 1 15/32"	M4

Ref. No	Couleur Finish	Material Description	Dimension c.c. / Ø	Overall Dimension (W x H) Metric	Imperial	Srew Nail
9	4035 11	Brass & acrylic	Ø 28mm	28 x 38mm	1 3/32" x 1 1/2"	Ø/32
10	5022 11	Brass & acrylic	Ø 22mm	22 x 30mm	7/8" x 1 3/16"	Ø/32
11	21719 140	Metal & crystal	Ø 18mm	18 x 18mm	23/32" x 23/32"	M4
12	276 130/11	24 K gold & crystal	Ø 19mm	19 x 22mm	3/4" x 7/8"	M4
13	9932 130/11	Glass & crystal	Ø 30mm	30 x 39mm	1 3/16" x 1 17/32"	M4
14	9993 130/11	Brass & crystal	Ø 25mm	25 x 36mm	1" x 1 13/32"	M4
15	9933 130/11	Crystal	Ø 20mm	20 x 29mm	25/32" x 1 5/32"	M4



Ref. No	Colour Finish	Material Description	Dimension c.c. / Ø	Dimension de perçage (W x H x P)		Srew Nail	
				Metric	Imperial		
1	80996	900	Metal	90mm c.c.	141 x 43mm	5 9/16" x 1 11/16"	Wood screw
2	485	175	Metal	66 x 30 x 12mm	2 19/32" x 1 3/16" x 15/32"		Recessed
3	686	900	Metal	93 x 32 x 12mm	3 21/32" x 1 1/4" x 15/32"		Recessed
4	40250	900	Nylon	100 x 35 x 15mm	3 15/16" x 1 3/8" x 19/32"		Recessed
5	310075172	195	Metal	128mm c.c.	133 x 34 x 15mm	5 1/4" x 1 11/32" x 19/32"	Recessed / M4
6	386216	174, 195, 900	Metal	16mm c.c.	*40 x 47mm	*1 9/16" x 1 27/32"	Wood screw
7	39660	90, 140, 184, 900	Metal	1" c.c.	*38 x 36mm	*1 1/2" x 1 13/32"	Wood screw
8	31007432	195	Metal	27 x 37 x 11mm	1 1/16" x 1 15/32" x 7/16"		Recessed / M4
9	745460	174, 195	metal/poignée escamotable	140 x 22 x 13mm	5 1/2" x 7/8" x 1/2"		Recessed
10	460370	10	Aluminium	50mm c.c.	*70 x 40mm	*2 3/4" x 1 9/16"	Wood screw
11	75508	131, 140	Metal**	Ø 31mm	Ø 28 x 32mm	Ø 1 3/32" x 1 1/4"	Recessed
12	2376064	175, 195	Metal		*72 x 40mm	*2 27/32" x 1 9/16"	M4

Ref. No	Colour Finish	Material Description	Dimension c.c. / Ø	Dimension de perçage (W x H x P)		Srew Nail	
				Metric	Imperial		
13	2376032	175, 195	Metal	*40 x 40mm	*1 9/16" x 1 9/16"	M4	
14	690228	130	Brass	38 x 51mm	43 x 34 x 10mm	1 11/16" x 1 11/32" x 13/32"	Wood screw
15	69	130, 140, 175	Metal	45 x 45mm	Ø 35 x 13mm	1 3/8" x 1/2"	Recessed
16	340235	195	Metal	Ø 35mm	Ø 25 x 10mm	1" x 13/32"	Recessed
17	340279	195	Metal	Ø 80mm	Ø 62 x 10mm	2 7/16" x 13/32"	Recessed
18	06320	130	Brass	75 x 50mm	57 x 38 x 5mm	2 1/4" x 1 1/2" x 3/16"	Wood screw
19	1803	130, 140	Metal	Ø 1"	Ø 20 x 7mm	Ø 25/32" x 9/32"	Recessed
20	36965	195	Metal	2 3/4" c.c.	*80 x 35mm	*3 5/32" x 1 3/8"	Wood screw
21	36963	195	Metal	1" c.c.	*36 x 37mm	*1 13/32" x 1 15/32"	Wood screw
22	316197	175	Metal		*37 x 15mm	*1 15/32" x 19/32"	8/32
23	311065	195	Metal	2" c.c.	62 x 31 x 13mm	2 7/16" x 1 7/32" x 1/2"	Recessed / 8/32
24	3110150	195	Metal	4 1/4"	119 x 30 x 13mm	4 11/16" x 1 3/16" x 1/2"	Recessed / 8/32

* Overall dimension / non-recess pull ** Push button with lock



Ref. No	Colour Finish	Material Description	Dimension c.c. / Ø	Overall Dimension (W x H)		Screw Nail
				Metric	Imperial	
1	616857160 12, 80, 90	Plastic	160mm c.c.	166 x 39mm	6 17/32" x 1 17/32"	Wood screw
2	685 195/ 11, 12	Metacryl®	160mm c.c.	180 x 47mm	7 3/32" x 1 27/32"	M4
3	21720160 195/ 11, 120, 750	Metal/Plastic	160mm c.c.	175 x 30mm	6 7/8" x 1 3/16"	M4
4	21722 195/ 11, 120, 750	Metal/Plastic	32mm c.c.	64 x 14mm	2 17/32" x 9/16"	M4
5	74513316 195/11	Metal/Plastic	16mm c.c.	48 x 24mm	1 7/8" x 15/16"	M4
6	745121192 195/11	Metal/Plastic	192mm c.c.	224 x 24mm	8 13/16" x 15/16"	M4

Ref. No	Colour Finish	Material Description	Dimension c.c. / Ø	Overall Dimension (W x H)		Screw Nail
				Metric	Imperial	
7	835 12, 17, 749	Duroplus®	128mm c.c.	157 x 21mm	6 3/16" x 13/16"	M4
8	833 12, 17, 749	Duroplus®	Ø 29mm	29 x 21mm	1 5/32" x 13/16"	M4
9	21717128 174/90	Rubber	128mm c.c.	173 x 30mm	6 13/16" x 1 3/16"	M4
10	21711 174/90	Rubber	64 x 30mm	64 x 30mm	2 17/32" x 1 3/16"	M4
11	21716 174/90	Rubber	45 x 30mm	45 x 30mm	1 25/32" x 1 3/16"	M4
12	341 195/ 12, 14, 78	Metacryl®	Ø 19mm	19 x 24mm	3/4" x 15/16"	M4
13	76032 14, 17, 76	Duroplus®	32mm c.c.	72 x 46mm	2 27/32" x 1 13/16"	M4
14	217011 80, 90	Rubber	16mm c.c.	80 x 50mm	3 5/32" x 1 13/32"	M4



Ref. No	Colour Finish	Material Description	Dimension c.c. / Ø	Overall Dimension (W x H) Metric	Overall Dimension (W x H) Imperial	Screw Nail
1	SP242 02, 11	Plastic	3" c.c.	108 x 28mm	4 1/4" x 1 3/32"	No 6
2	16011 30	Plastic	96mm c.c.	106 x 29mm	4 3/16" x 1 5/32"	8/32
3	6110 30, 34, 40, 54, 70, 80, 90, 114	Plastic	96mm c.c.	103 x 29mm	4 1/16" x 1 5/32"	No 6
4	3140 30, 34, 40, 54, 57,	Plastic	Ø 1 1/4"	32 x 27mm	1 1/4" x 1 1/16"	No 6
5	3133 70, 80, 82, 83, 88,	Plastic	3" c.c.	83 x 30mm	3 9/32" x 1 3/16"	No 6
6	3130 90, 100, 114, 115, D79	Plastic	96mm c.c.	105 x 30mm	4 1/8" x 1 3/16"	No 6
7	6120 30, 54, 83, 90, 114	Plastic	4" c.c.	42 x 29mm	1 21/32" x 1 5/32"	No 6
8	45334 30, 300	Plastic	Ø 34mm	34 x 36mm	1 11/32" x 1 13/32"	8/32
9	3337 30, 90	Plastic	32mm c.c.	41 x 20mm	1 5/8" x 25/32"	No 6
10	481990 90	Plastic	Ø 12mm	12 x 25mm	15/32" x 1"	No 6

Ref. No	Colour Finish	Material Description	Dimension c.c. / Ø	Overall Dimension (W x H) Metric	Overall Dimension (W x H) Imperial	Screw Nail
11	SP232 02, 11	Plastic	32mm c.c.	39 x 21mm	1 17/32" x 13/16"	No 6
12	32328 185	Plastic	128mm c.c.	142 x 28mm	5 19/32" x 1 3/32"	No 6
13	33353 185	Plastic	Ø 34mm	34 x 27mm	1 11/32" x 1 1/16"	No 6
14	33841 185	Plastic	38 x 20mm	38 x 25mm	1 1/2" x 1"	No 6
15	32323 185	Plastic	96mm c.c.	127 x 27mm	5" x 1 1/16"	No 6
16	483190 145	Plastic	64mm c.c.	82 x 27mm	3 7/32" x 1 1/16"	No 6
17	483260 145	Plastic	32mm c.c.	41 x 23mm	1 5/8" x 29/32"	No 6
18	SP390 02, 03, 06, 10, 11, 16, 19, 20	Plastic	Ø 38mm	38 x 26mm	1 1/2" x 1 1/32"	No 6
19	0800 30, 130, 140	Plastic base	96mm c.c.	105 x 30mm	4 1/8" x 1 3/16"	No 6
20	0200 30, 130, 140	Plastic base	Ø 1 5/16"	33 x 27mm	1 5/16" x 1 1/16"	No 6



Ref. No	Colour Finish	Material Description	Dimension c.c. / Ø	Overall Dimension (W x H)		Screw Nail	
				Metric	Imperial		
1	038	145	Metal	33 x 34mm	1 5/16" x 1 11/32"	8/32	
2	037	145	Metal	59 x 33mm	2 5/16" x 1 5/16"	8/32	
3	034	145	Metal	40 x 31mm	1 9/16" x 1 7/32"	8/32	
4	030	145	Metal	47 x 27mm	1 27/32" x 1 1/16"	8/32	
5	852	11, 14, 119, 749, 809	Duron®	50 x 25mm	1 31/32" x 1"	M4	
		175	Metal	50 x 25mm	1 31/32" x 1"	8/32	
6	858	11, 14, 174, 749	Duron®	50 x 28mm	1 31/32" x 1 3/32"	M4	
7	854	749	Duron®	65 x 26mm	2 9/16" x 1 1/32"	M4	
		175	Metal	65 x 26mm	2 9/16" x 1 1/32"	8/32	
8	935500	Giraffe	Polyester	50 x 25mm	1 31/32" x 1"	8/32	
9	935300	Lion	Polyester	53 x 35mm	2 3/32" x 1 3/8"	8/32	
10	935700	Teddy bear	Polyester	62 x 26mm	2 7/16" x 1 1/32"	8/32	
11	935600	Zebra	Polyester	42 x 27mm	1 21/32" x 1 1/16"	8/32	
12	934700	Soccer	Polyester	Ø 34mm	34 x 34mm	1 11/32" x 1 11/32"	8/32

Ref. No	Colour Finish	Material Description	Dimension c.c. / Ø	Overall Dimension (W x H)		Screw Nail	
				Metric	Imperial		
13	934800	Football	Polyester	52 x 32mm	2 1/16" x 1 1/4"	8/32	
14	935000	Basketball	Polyester	Ø 33mm	33 x 33mm	1 5/16" x 1 5/16"	8/32
15	934900	Baseball	Polyester	Ø 34mm	34 x 34mm	1 11/32" x 1 11/32"	8/32
16	934400	Carrot	Polyester	82 x 21mm	3 7/32" x 13/16"	8/32	
17	937300	Corn	Polyester	66 x 30mm	2 19/32" x 1 3/16"	8/32	
18	934100	Hot pepper	Polyester	68 x 19mm	2 11/16" x 3/4"	8/32	
19	934300	Grapes	Polyester	60 x 29mm	2 3/8" x 1 5/32"	8/32	
20	937200	Strawberry	Polyester	37 x 36mm	1 15/32" x 1 13/32"	8/32	
21	934200	Tomato	Polyester	38 x 39mm	1 1/2" x 1 17/32"	8/32	
22	934500	Strawberry	Polyester	37 x 39mm	1 15/32" x 1 17/32"	8/32	
23	934600	Apple	Polyester	34 x 32mm	1 11/32" x 1 1/4"	8/32	
24	937900	Tea pot	Polyester	44 x 26mm	1 23/32" x 1 1/32"	8/32	
25	937100	Rose	Polyester	33 x 22mm	1 5/16" x 7/8"	8/32	
26	937000	Sun flower	Polyester	39 x 24mm	1 17/32" x 15/16"	8/32	



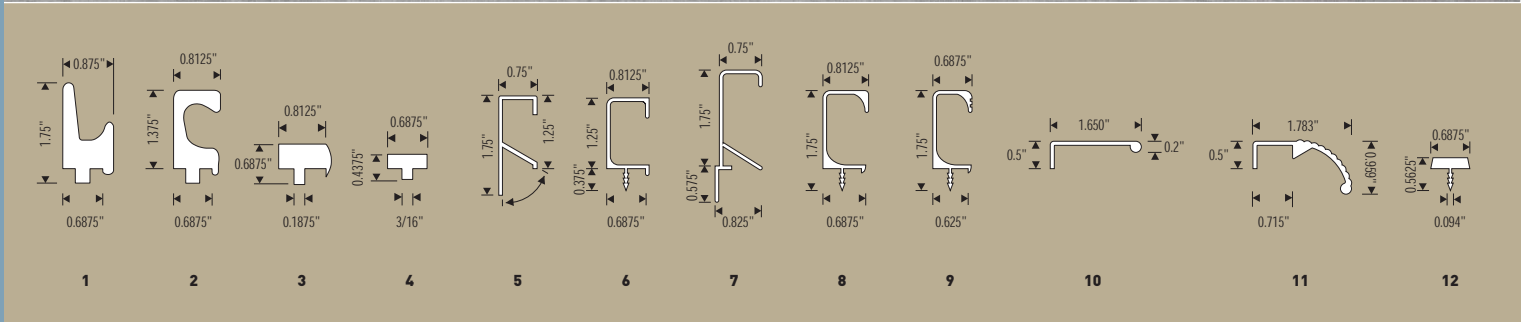
Ref. No.	Colour Finish	Material Description	Dimension c.c. / Ø	Overall Dimension (W x H) Metric	Imperial	Screw Nail
1	05403 15.0, 25.1	Oak, Maple	96mm c.c.	115 x 21mm	4 17/32" x 13/16"	8/32
2	818503 15.0	Maple	3" c.c.	127 x 23mm	5" x 29/32"	8/32
3	818309128 15.0	Maple	160mm c.c.	180 x 40mm	7 3/32" x 1 9/16"	8/32
4	05458 15.0	Maple	2" c.c.	103 x 21mm	4 1/16" x 13/16"	8/32
5	8181103 15.0	Maple	3" c.c.	140 x 23mm	5 1/2" x 29/32"	8/32
6	81812596 15.0	Maple	96mm c.c.	137 x 33mm	5 13/32" x 1 5/16"	8/32
7	05455 25.0, 25.1	Oak	96mm c.c.	115 x 29mm	4 17/32" x 1 5/32"	8/32
8	818303415 15.0	Maple	415 x 22mm	16 11/32" x 7/8"		Wood screw
9	818311735 15.0	Maple	735 x 22mm	28 15/16" x 7/8"		Wood screw
10	05426 85	Pine	96mm c.c.	120 x 28mm	4 23/32" x 1 3/32"	8/32
11	05407 25.0	Oak	96mm c.c.	114 x 27mm	4 1/2" x 1 1/16"	8/32
12	05413B 25.1	Oak	3 1/2" c.c.	105 x 32mm	4 1/8" x 1 1/4"	8/32
13	05413 15.0, 15.1	Maple	3" c.c.	93 x 32mm	3 21/32" x 1 1/4"	8/32

Ref. No.	Colour Finish	Material Description	Dimension c.c. / Ø	Overall Dimension (W x H) Metric	Imperial	Screw Nail
14	8181096 15.0	Maple	96mm c.c.	111 x 20mm	4 3/8" x 25/32"	8/32
15	05411 15.0, 15.1	Maple	96mm c.c.	115 x 25mm	4 17/32" x 1"	8/32
16	05452 25.0, 25.1	Oak	96mm c.c.	107 x 27mm	4 7/32" x 1 1/16"	8/32
17	81809 15.0	Maple	160mm c.c.	204 x 32mm	8 1/32" x 1 1/4"	8/32
18	8189088 15.0	Maple	96mm c.c.	211 x 20mm	8 5/16" x 25/32"	8/32
19	31060 25.0	Oak	96mm c.c.	124 x 28mm	4 7/8" x 1 3/32"	8/32
20	4416 195/15.1, 195/25.1	Metal/ Maple, Oak	96mm c.c.	106 x 23mm	4 3/16" x 29/32"	8/32
21	4415 195/15.1, 195/25.1	Metal/ Maple, Oak	Ø 26mm	26 x 23mm	1 1/32" x 29/32"	8/32
22	32205 195/15.1	Metal/ Maple	63 x 24mm	63 x 24mm	2 15/32" x 15/16"	8/32
23	1068439 15, 15.5	Metal/ Maple	Ø 16mm	16 x 22mm	5/8" x 7/8"	8/32
24	1068483 185	Metal/ Maple	128mm c.c.	148 x 24mm	5 13/16" x 15/16"	M4
25	847 15.1/185	Metal/ Maple	96mm c.c.	107 x 24mm	4 7/32" x 15/16"	M4



Ref. No	Colour Finish	Material Description	Dimension c.c. / Ø	Overall Dimension (W x H) Metric	Overall Dimension (W x H) Imperial	Screw Nail
1	15.0	Maple		51 x 22mm	2" x 7/8"	8/32
2	15.0	Maple		45 x 22mm	1 25/32" x 7/8"	8/32
3	115	Maple		31 x 22mm	1 7/32" x 7/8"	8/32
4	8186056	Maple		107 x 27mm	4 7/32" x 1 1/16"	8/32
5	7038	85, 85.1	Ø 38mm	38 x 31mm	1 1/2" x 1 7/32"	8/32
6	7035	85, 85.1	Ø 35mm	35 x 29mm	1 3/8" x 1 5/32"	8/32
7	7030	85, 85.1	Ø 30mm	30 x 24mm	1 3/16" x 15/16"	8/32
8	11970	15.0, 25.0	1" c.c.	70 x 25mm	2 3/4" x 1"	8/32
9	11960	15.0, 25.0	1" c.c.	60 x 22mm	2 3/8" x 7/8"	8/32
10	178	15.0, 15.1	Ø 1 7/8"	47 x 37mm	1 7/8" x 1 5/32"	8/32
11	138	15.0, 15.1	Ø 1 3/8"	34 x 27mm	1 3/8" x 1 1/16"	8/32
12	118	15.0, 15.1	Ø 1 1/8"	28 x 26mm	1 1/8" x 1 1/32"	8/32
13	81824439	15.0	Ø 46mm	46 x 36mm	1 13/16" x 1 13/32"	8/32
14	81820838	15.0	Ø 50mm	50 x 32mm	1 31/32" x 1 1/4"	8/32

Ref. No	Colour Finish	Material Description	Dimension c.c. / Ø	Overall Dimension (W x H) Metric	Overall Dimension (W x H) Imperial	Screw Nail
15	8187497	15.0	Ø 45mm	45 x 38mm	1 25/32" x 1 1/2"	8/32
16	040	15.0, 25.0	Ø 40mm	40 x 32mm	1 9/16" x 1 1/4"	8/32
17	030	15.0, 25.0	Ø 30mm	30 x 28mm	1 3/16" x 1 3/32"	8/32
18	4730	15.0, 25.0	Ø 1 1/2"	38 x 41mm	1 1/2" x 1 5/8"	8/32
19	05454	25.0, 25.1	Ø 1 3/8"	35 x 30mm	1 3/8" x 1 3/16"	8/32
20	02038	15.0, 25.0, 28.0	Ø 38mm	38 x 35mm	1 1/2" x 1 3/8"	8/32
21	254	85/163	Ø 30mm	30 x 27mm	1 3/16" x 1 1/16"	8/32
22	033	25.2/79	Ø 35mm	35 x 30mm	1 3/8" x 1 3/16"	8/32
23	7035	25.0	Ø 35mm	35 x 29mm	1 3/8" x 1 5/32"	8/32
24	0280	25.0	Ø 1 1/16"	27 x 25mm	1 1/16" x 1"	8/32
25	119	26.0	Ø 26mm	26 x 24mm	1 1/32" x 15/16"	8/32
26	116	15.0	Ø 1 7/32"	31 x 25mm	1 7/32" x 1"	8/32
27	114	15.0	Ø 1 1/4"	32 x 28mm	1 1/4" x 1 3/32"	8/32



Ref. No.	Colour Finish	Material Description	Overall Dimension (W x H)		
			Metric	Imperial	
1	K243190	03, 08, 15, 25	Birch, Cherry, Maple, Oak	2438mm	8'
2	K243196	03, 08, 15, 25	Birch, Cherry, Maple, Oak	2438mm	8'
3	K243197	03, 08, 15, 25	Birch, Cherry, Maple, Oak	2438mm	8'
4	K243185	03, 08, 15, 25	Birch, Cherry, Maple, Oak	2438mm	8'
5	318112	10	Aluminium	3657mm	12'
6	318212	10	Aluminium	3657mm	12'

Ref. No.	Colour Finish	Material Description	Overall Dimension (W x H)		
			Metric	Imperial	
7	317912	10	Aluminium	3657mm	12'
8	318312	10, 140	Aluminium	3657mm	12'
9	318412	10	Aluminium	3657mm	12'
10	318612	10, 170	Aluminium	3657mm	12'
11	318512	10	Aluminium	3657mm	12'
12	316212	10	Aluminium	3657mm	12'